



ST7MDT25-T64/DVP

TQFP64 (14x14) Connection Kit for ST7MDT25-DVP3

DATA BRIEF

The **TQFP64 (14x14) Connection Kit** (ST7 MDT25-T64/DVP) provides the hardware you need to connect your ST7MDT25-DVP3 emulator to your application when debugging applications for ST7 microcontrollers in the TQFP64 (14x14) package.

Connection Kit Contents

- **TQFP64/44 adapter (DB612)** – Allows the connection of your ST7MDT25-DVP3 emulator to your application board in place of your ST7.
- **TQFP64 (14x14) device adapter (DB543)** – Adapts the emulator connection to the package of your ST7.
- **CAB TQFP64 (14x14) socket and cover** (CAB 3303262 and CAB 3303307) – solders to your application board to allow connection of the emulator or installation of your ST7.

The two *50-pin flat cables* for connection between the emulator and the adapter are provided with your ST7MDT25-DVP3 emulator.

For more information...

- **ST7-DVP3 User Manual** – Information common to all DVP3 series emulators
- **ST7MDT25-DVP3 Probe User Guide** – Information specific to ST7MDT25-DVP3

Figure 1. TQFP64/44 adapter (DB612)

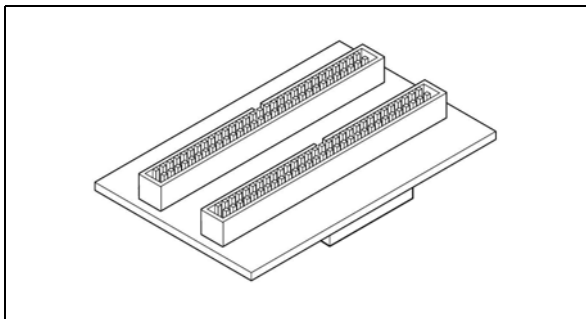


Figure 2. TQFP64 device adapter (DB543)

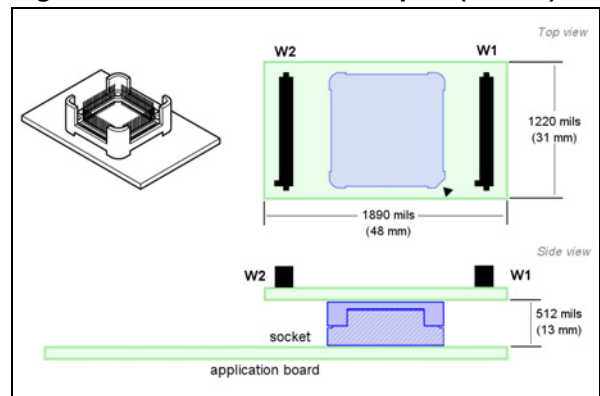
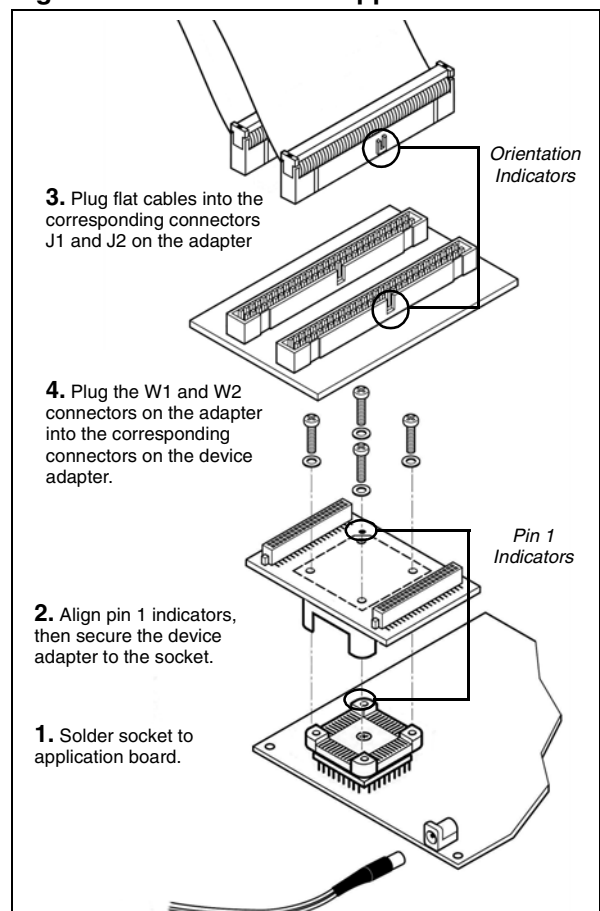


Figure 3. Connection to application board



Revision history

Date	Revision	Changes
13-Sep-2005	1	Initial release.

Information furnished is believed to be accurate and reliable. However, STMicroelectronics assumes no responsibility for the consequences of use of such information nor for any infringement of patents or other rights of third parties which may result from its use. No license is granted by implication or otherwise under any patent or patent rights of STMicroelectronics. Specifications mentioned in this publication are subject to change without notice. This publication supersedes and replaces all information previously supplied. STMicroelectronics products are not authorized for use as critical components in life support devices or systems without express written approval of STMicroelectronics.

The ST logo is a registered trademark of STMicroelectronics.
All other names are the property of their respective owners

© 2005 STMicroelectronics - All rights reserved

STMicroelectronics group of companies

Australia - Belgium - Brazil - Canada - China - Czech Republic - Finland - France - Germany - Hong Kong - India - Israel - Italy - Japan -
Malaysia - Malta - Morocco - Singapore - Spain - Sweden - Switzerland - United Kingdom - United States of America

www.st.com

